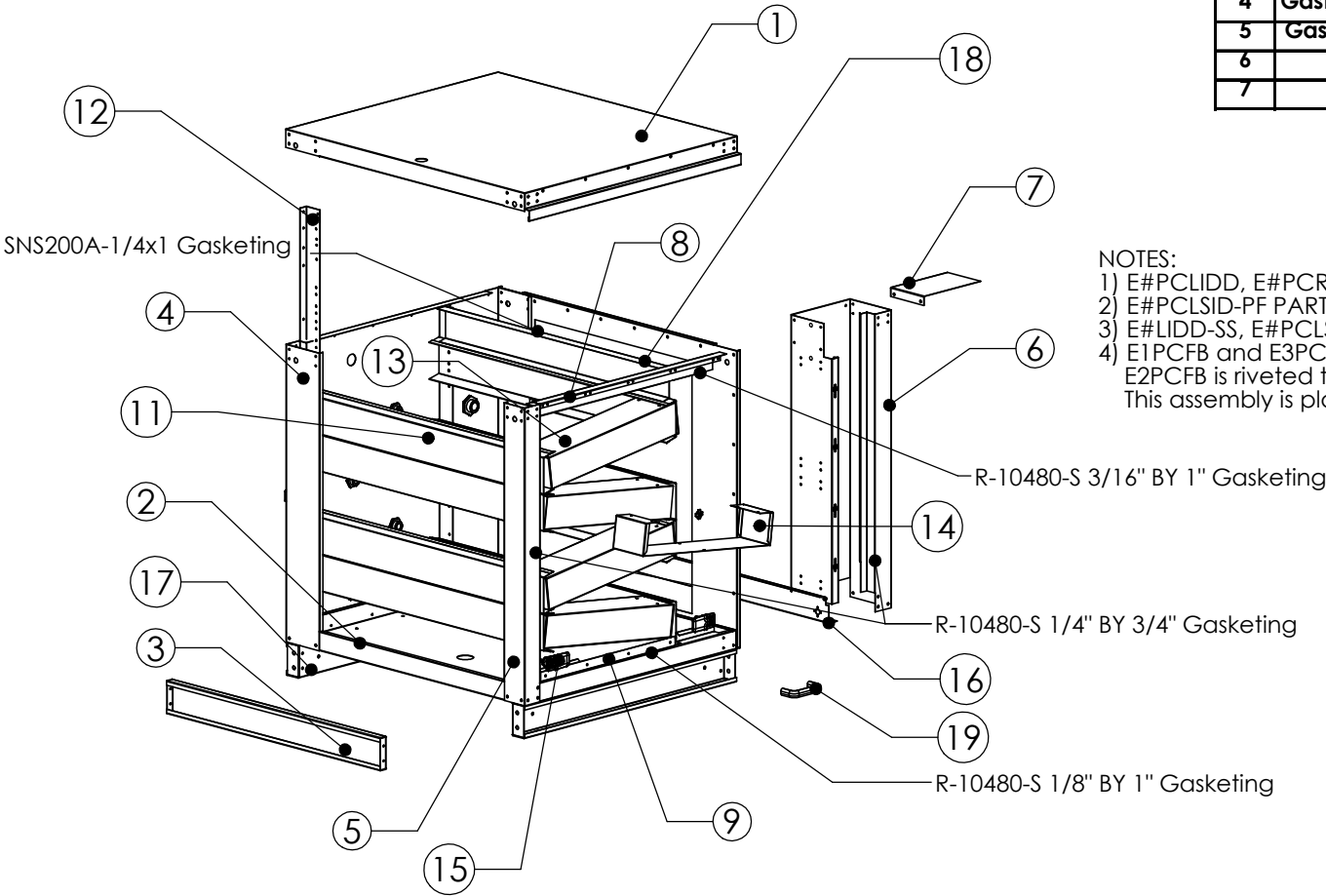


# PCU EXPLODED VIEW



#	Description	Revised by	ECN#	Date
1	UPDATED VIEW	AJK	1896	2/25/10
2	Added Top Door Seal	NR	2207	1/17/11
3	Updated Exploded View	NR	2393	1/25/12
4	Gasket Update on Top Door Seal	NR	2524	8/24/12
5	Gasket Update on Top Fltr Blank	NR	2562	10/30/12
6	Added Door Handle	JJH	2594	2/28/13
7	Updated Gasketing Info	NR	2682	1/15/14

## NOTES:

- 1) E#PCLIDD, E#PCRTFF-AF PARTS ARE USED ONLY ON THE LAST MODULE OF THE PCU.
- 2) E#PCLSID-PF PARTS ARE USED ONLY ON PRE-FILTER AND CORE UNITS.
- 3) E#LIDD-SS, E#PCLSID, AND E#PCRTFF PARTS ARE USED EVERYWHERE ELSE.
- 4) E1PCFB and E3PCFB ARE CAULKED TO THE LEFT SIDE (E\*PCLSID/E\*PCLSIDPF)  
E2PCFB is riveted to E2PCFBCVR and E5PCFB is riveted to E5PCFBCVR  
This assembly is placed between E\*PCDR and FILTER.

Description	#1	#2	#3	#4	#5	#6
1 Lid	E1LIDD-SS/E1PCLIDD	E2LIDD-SS/E2PCLIDD	E3LIDD-SS/E3PCLIDD	E4LIDD-SS/E4PCLIDD	E5LIDD-SS/E5PCLIDD	E6LIDD-SS/E6PCLIDD
2 Bottom	E1PCBOT	E2PCBOT	E3PCBOT	E4PCBOT	E5PCBOT	E6PCBOT
3 End Flashing	M1EFLS	M2EFLS	M3EFLS	M4EFLS	M5EFLS	N/A
4 Left Side	E1PCLSID/E1PCLSID-PF	E2PCLSID/E2PCLSID-PF	E3PCLSID/E3PCLSID-PF	E4PCLSID/E4PCLSID-PF	E5PCLSID/E5PCLSID-PF	E6PCLSID/E6PCLSID-PF
5 Right Rear Door Jam	E1PCRRDJ	E2PCRRDJ	E3PCRRDJ	E4PCRRDJ	E5PCRRDJ	E6PCRRDJ
6 Right Front Post	E1PCRTFF/E1PCRTFF-AF E1PCRTFF-AFTRM	E2PCRTFF/E2PCRTFF-AF E2PCRTFF-AFTRM	E3PCRTFF/E3PCRTFF-AF E3PCRTFF-AFTRM	E4PCRTFF/E4PCRTFF-AF E4PCRTFF-AFTRM	E5PCRTFF/E5PCRTFF-AF E5PCRTFF-AFTRM	E6PCRTFF/E6PCRTFF-AF E6PCRTFF-AFTRM
7 Electrical Cabinet Cap	MEEPCCAP					
8 Top Door Seal	ME1DRSL	ME2DRSL	ME3DRSL	ME4DRSL	ME56DRSL	
9 Door Hook	PC12DH/PCSDH		PC3DH/PCSDH	PC45DH/PCSDH		
10 Right Door	E1PCDR	E2PCDR	E3PCDR	E4PCDR	E5PCDR	E6PCDR
11 Filter Track	E1PCFT(6)	E2PCFT(8)	E3PCFT(8)	E4PCFT(10)	E5PCFT(12)	E6PCFT(12)
12 Filter Track Support	E1PCFTSP (2)	E2PCFTSP (2)	E3PCFTSP (2)	E4PCFTSP (2)	E5PCFTSP (2)	E6PCFTSP (2)
13 PC Filter Blank	E1PCFB (3)	E2PCFB (4)	E3PCFB (4)	N/A	E5PCFB (6)	N/A
14 PC Filter Blank Cover	N/A	E2PCFBCVR (4)	N/A	N/A	E5PCFBCVR (6)	N/A
15 Latch	62-99-804-20 (2)					
16 Bottom Filter Blank	E1PCBFBL	E2PCBFBL	E3PCBFBL	E4PCBFBL	E5PCBFBL	E6PCBFBL
17 Main Rail	ME12MR (2)		ME3MNRL (2)	ME45MR (2)		
18 Top Filter Blank	E1PCTFBL	E2PCTFBL	E3PCTFBL	E4PCTFBL	E5PCTFBL	E6PCTFBL
19 Door Handle	P-50-1010 (1)					